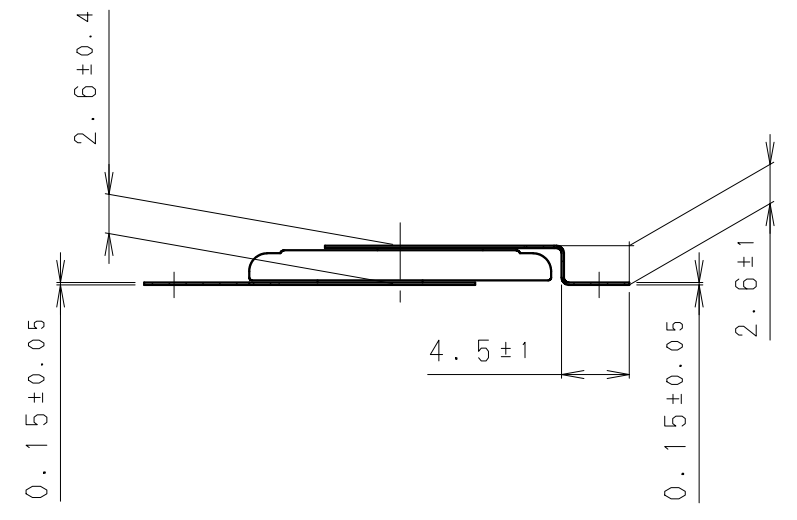
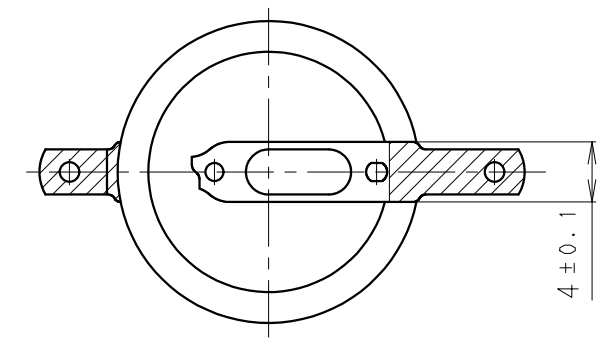
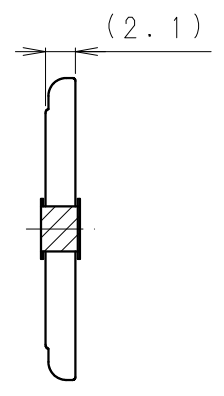
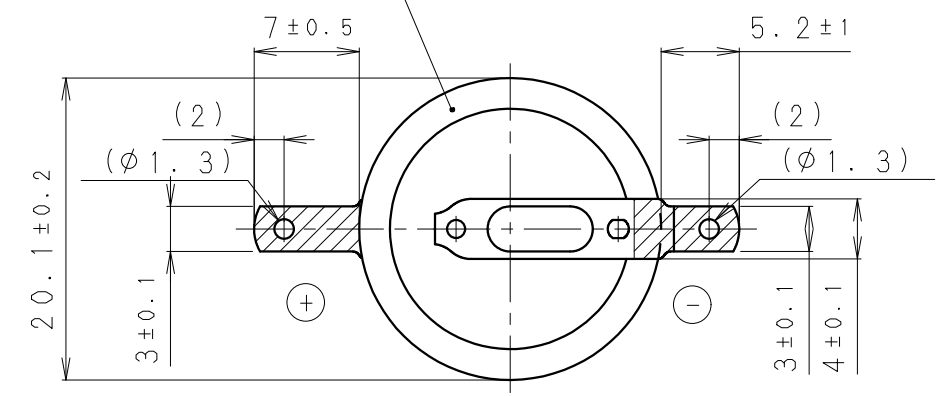


INSULATOR (BROWN)



- NOTE
1. NOMINAL VOLTAGE: 3V
 2. TAB WELDING STRENGTH OVER 14.7N
 3. TAB MATERIAL: STAINLESS STEEL WITH TIN PLATING
 4. (): REFERENCE DIMENSION AND ANGLE

PRODUCT NO.	VL-2020/F2	SCALE	2:1
DRAWING NO.	PD-VL-2020/F2-G		UNIT: mm