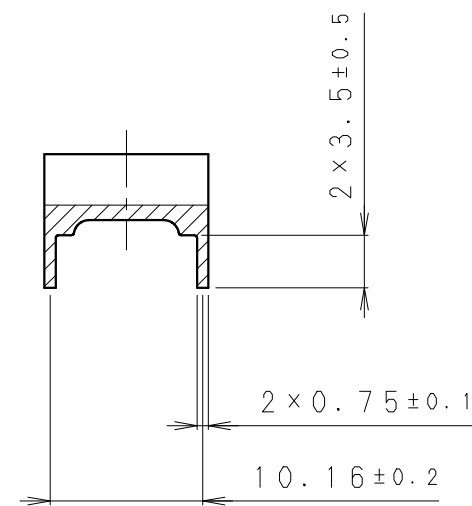
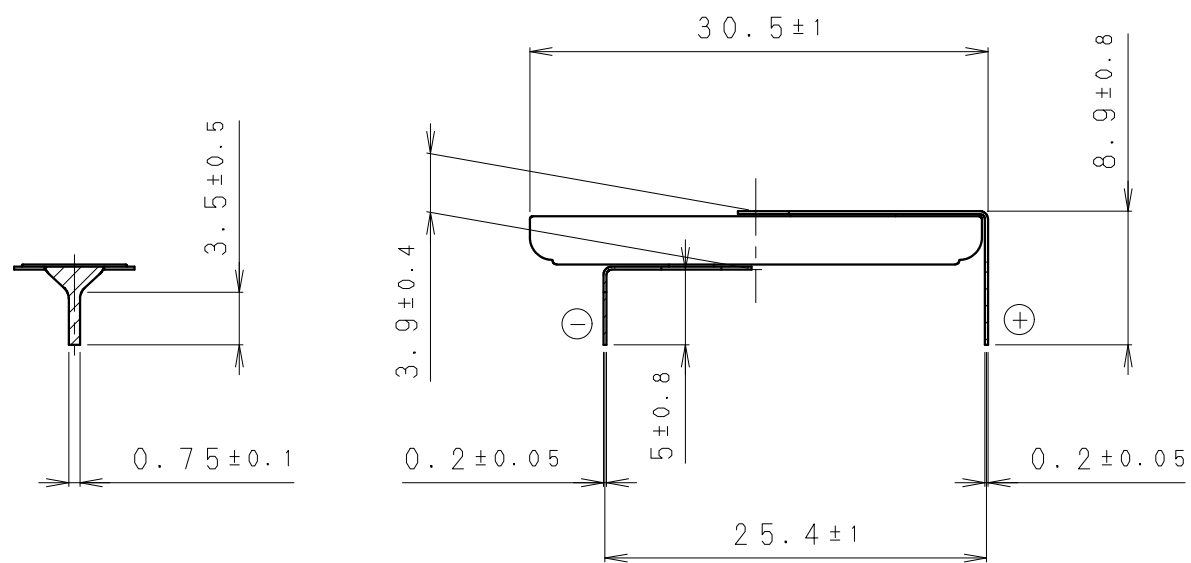
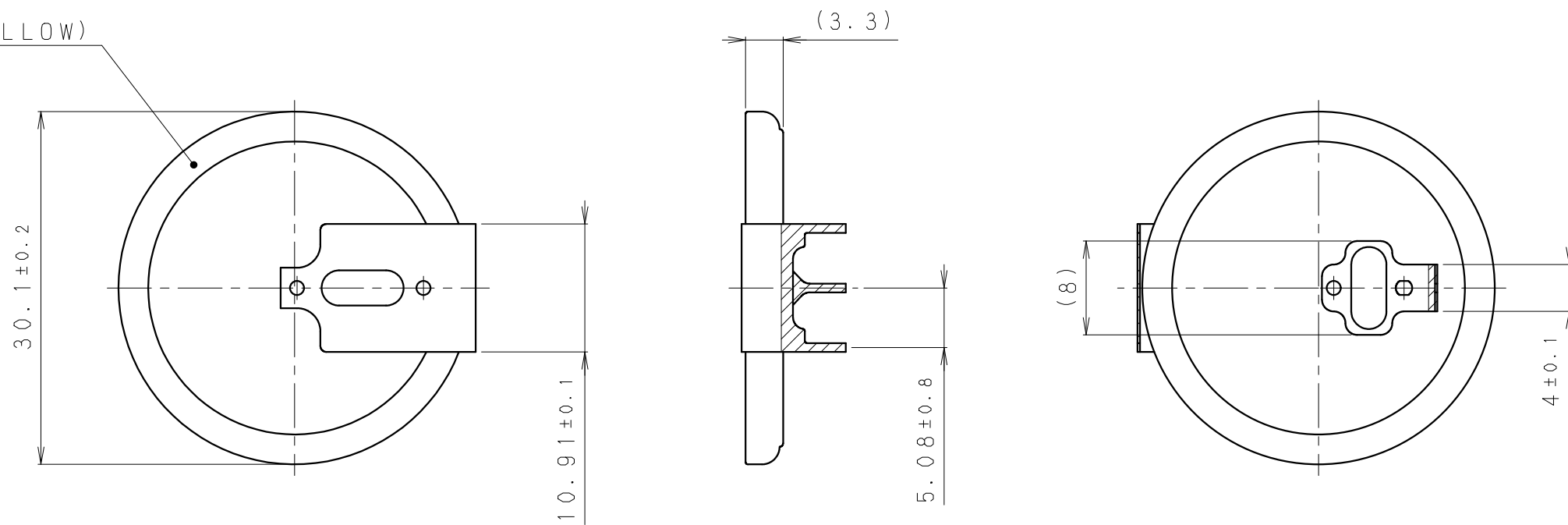


INSULATOR (YELLOW)



NOTE

1. NOMINAL VOLTAGE: 3V
2. TAB WELDING STRENGTH OVER 19.6N
3. TAB MATERIAL: STAINLESS STEEL WITH TIN PLATING
4. (): REFERENCE DIMENSION AND ANGLE

PRODUCT NO.	BR-3032/GUF	SCALE	2:1
DRAWING NO.	PD-BR-3032/GUF-G		UNIT: mm